

X20SA1 V021..V026

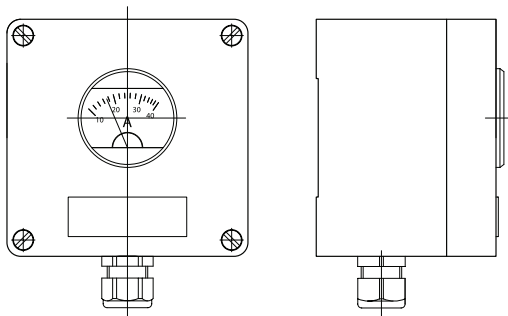
Type of protection	Ⓧ II 2G Ex eb mb IIC T6 Gb Ⓧ II 2D Ex tb IIIC T85°C Db
Ingress protection	IP65
Material, dimensions	polyester, (w × h × d) 122 × 120 × 90 mm
Mounting holes / spacings	4 × ø 6,6 / 106 × 82 mm
Rated voltage and current	see table
Cable gland	M20 (ø 7 – ø 12) mm

INDIKAČNÍ SVÍTIDLO	
Colour	see table
Label text	no text (text to order)
Rated voltage	6, 12, 24, 48 V AC/DC, 110, 230 V AC
Rated current	20 mA, max. 30 mA (impulse 100 mA)
Connection	screw terminals, max. 2 × wire 2.5 mm ²
Weight	0,9 kg

	Contacts	Order number
	230V 50Hz	X20SA1 V021/?
	110V 50Hz	X20SA1 V022/?
	48V AC/DC	X20SA1 V023/?
	24V AC/DC	X20SA1 V024/?
	12V AC/DC	X20SA1 V025/?
	6V AC/DC	X20SA1 V026/?

Fill in the colour according to the table instead of the question mark, e.g. X20SA1 V021/GN

Colour:	green	white	red	yellow	blue
Code:	GN	WH	RD	YE	BU

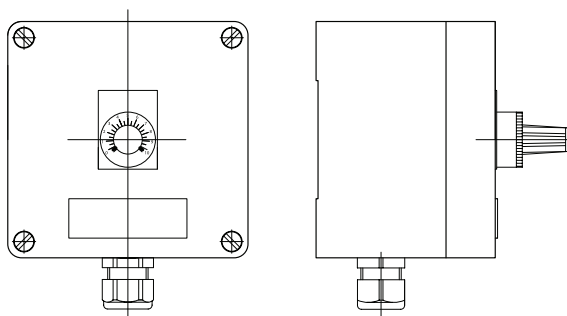


X20SA1 PA../.

INDIRECT READING AMMETER	
Measurement range	see table
Rated voltage	500 V
Consumption	0,7 VA
Accuracy class	1,5
Connection	spring-cage terminals 4 mm ²
Weight	0,9 kg

Scale range (other range to order)	Order number	
	I _n / 1A	I _n / 5A
0 – 10 / 30	X20SA1 PA1A/10	X20SA1 PA5A/10
0 – 15 / 45	X20SA1 PA1A/15	X20SA1 PA5A/15
0 – 20 / 60	X20SA1 PA1A/20	X20SA1 PA5A/20
0 – 30 / 90	X20SA1 PA1A/30	X20SA1 PA5A/30
0 – 40 / 120	X20SA1 PA1A/40	X20SA1 PA5A/40
0 – 50 / 150	X20SA1 PA1A/50	X20SA1 PA5A/50
0 – 60 / 180	X20SA1 PA1A/60	X20SA1 PA5A/60
0 – 75 / 225	X20SA1 PA1A/75	X20SA1 PA5A/75
0 – 100 / 300	X20SA1 PA1A/100	X20SA1 PA5A/100
0 – 150 / 450	X20SA1 PA1A/150	X20SA1 PA5A/150
0 – 200 / 600	X20SA1 PA1A/200	X20SA1 PA5A/200

The indirect reading ammeter is designed for connecting to the measuring current transformer I_n/1A, or I_n/5A.



X20SA1 RP.

EXPLOSION-PROOF POTENTIOMETER	
Type of protection	Ⓧ II 2G Ex db eb IIC T6 Gb Ⓧ II 2D Ex tb IIIC T85°C Db
Ingress protection	IP65
Material, dimensions	polyester, (w × h × d) 122 × 120 × 90 mm
Weight	1,0 kg
Cable gland	M20 (ø 7 – ø 12) mm
Terminals	2 × 2,5 mm ²
Load	P _n = 1,0 W, U _{max} = 250 V AC/DC, I _{max} = 0,1 A
Nominal resistance	4R7 ... 2M2 (řada jmenovitých hodnot E6, E12)
Tolerance	± 10 %

Order number	X20SA1 RP ?
Fill in the nominal resistance instead of the question mark, e.g. X20SA1 RP 10K.	